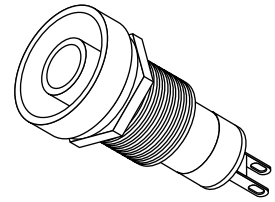
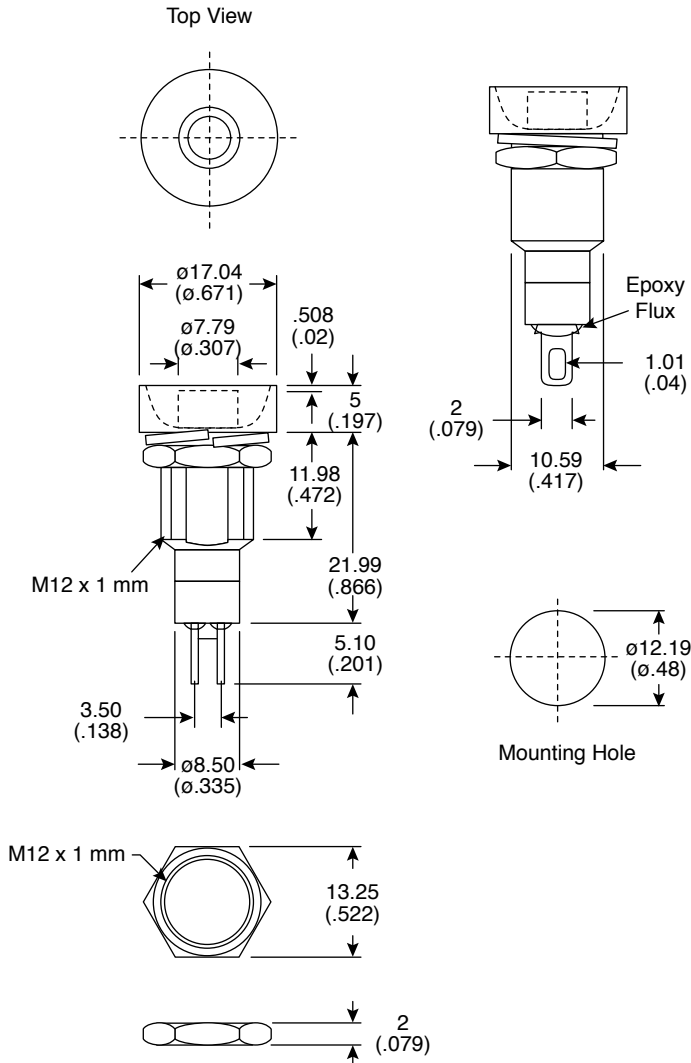
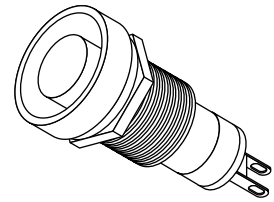


Dimensions: mm (In.)



Mouser Stock No.	Button Color	Frame Color	Circuit
107-1258-S	Silver	Black	Off-On
107-1258-R	Red	Black	Off-On
107-1258BU	Blue	Black	Off-On
107-1259-B	Black	Black	Off-(On)
107-1259-R	Red	Black	Off-(On)
107-1259-S	Silver	Black	Off-(On)



Mouser Stock No.	Button Color	Frame Color	Circuit
107-1261B	Black	Black	Off-On
107-1261R	Red	Black	Off-On
107-1262-R	Red	Black	Off-(On)
107-1262-B	Black	Black	Off-(On)

Electrical Specifications:

- Rating: 3A/125VAC
- Insulation resistance: 100M Ω 500VDC
- Contact resistance: 20m Ω @ 2.5VDC 1A
- Dielectric Strength: 1000V for 1 minute

Mechanical Specifications:

- Type: SPST

Guarded Pushbutton Switches

107-1258 Series 107-1261 Series
 107-1259 Series 107-1262 Series

